



**Victory  
Packaging**

We are *Architects* of Packaging Solutions

## Packaging

Engineering  
and Design

Fulfillment

Logistics

Equipment &  
Automation

# Fresh Produce Packaging Solutions



CONTACT  
VICTORY PACKAGING  
TO LEARN MORE:



Call Us 888.261.1268



Send Us an Email

[information@victorypackaging.com](mailto:information@victorypackaging.com)

# Wax Saturated Produce Containers

## Our Lowest Cost Shipping Containers for Produce

### ■ SHORT

1/2 Bushel Vegetable, Self-Locking. 14 x 10 3/4 x 6 3/4, 1" Gap in Top 3/4" Gap in Bottom. White w/2-Color Graphics including Check-Offs for Green, Yellow & White Squash.

560/Unit



### ■ TALL: SURE LOK.

1/2 Bushel Vegetable, Self-Locking with "Sure-Lock" Bottom Flaps. 12 13/16 x 9 1/16" x 9 1/16" Gap Top, No Gap Bottom, White w/2-Color Graphics including Check-Offs for Green, Yellow & White Squash.

500/Unit

### ■ SURE-LOK.

1 Bushel Vegetable, Self-Locking 16 x 11 1/2 x 1 17/8, 1 1/4" Gap in Top, White w/1-Color Graphics including Check-Offs for Cucumber, Eggplant, Peppers, Acorn Squash and Other.

250/Unit



### ■ SURE-LOK.

1 Bushel Green Bean, Self-Locking with "Sure-Lok" Bottom Flaps. No Gap Bottom. 16 x 11 1/2 x 11 7/8, White w/1-Color Print.

250/Unit

- 1 1/9 Bushel Vegetable, Self-Locking. 250#  
17 9/16 x 11 11/16 x 11 1/4, 1" Gap in Bottom, 1 1/2" Gap in Top, White w/2-Color Graphics including Check-Offs for Cucumber, Eggplant and Peppers.  
560/Unit

- 1 1/9 Bushel Vegetable-10 Block (MUM). 250#  
15 1/2 x 1 19/16 x 12, 1" Gap in Bottom, 1 1/2" Gap in Top, White w/2-Color Graphics including Check-Offs for Cucumber, Eggplant and Peppers.  
560/Unit

- 1 1/9 Bushel Vegetable, Pepper Box. 200#  
15 1/2 x 11 9/16 x 12, 1" Gap in Bottom, 1 1/2" Gap in Top, White w/2-Color Graphics including Check-Offs for Cucumber, Eggplant and Peppers.  
560/Unit



- 1.29 Bushel Greens, Self-Locking. 19 3/4 x 11 7/8 x 11 9/16, 2 1/2" Gap Bottom, 5 1/2" Gap Top, Kraft w/1-Color Graphics for Greens.  
250/Unit



- **SPECIAL ORDER**  
3/4 Bushel Vegetable, Self-Locking, 15 5/6 x 11 3/8 x 8 7/8, White w/2-Color Graphics for "Crook Neck Squash."  
500/Unit.



- 15 1/2 x 11 9/16 x 12 1/8, 10 Block (MUM), White w/2 Color Graphics. DRY-RECYCLABLE.  
560/Unit

- 1.8 Bushel Cabbage, 250# Self-Locking, Top & Bottom, 22 3/8 x 15 7/8 x 11 1/2, 6" Gap Top, 2" Gap Bottom, White w/1-Color Graphics.  
250/Unit.



- **HEAVY DUTY**  
1.8 Bushel Cabbage, 275# Self-Locking, Top & Bottom, 22 1/2 x 15 1/2 x 10 3/4, 3" Gap Top, 1/2" Gap Bottom, White w/1-Color Graphics.  
250/Unit.

- 24 Count Cucumber, Self-Locking, 18 1/8 x 9 1/8 x 7 1/4, White w/1-Color Graphics.  
540/Unit.



# Tomato Boxes

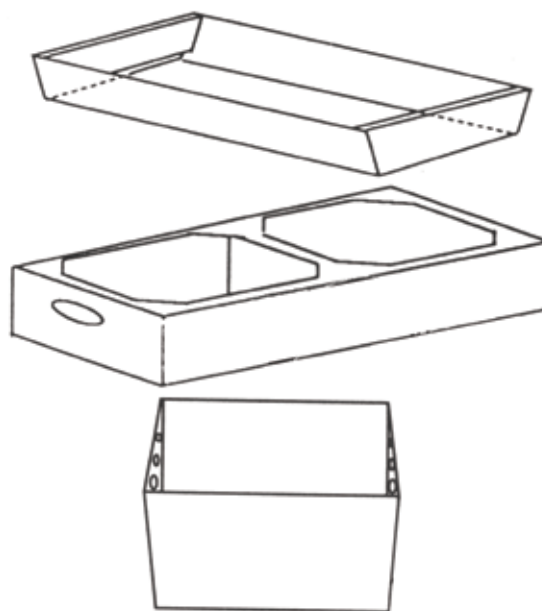
## Our Lowest Cost Containers for Vine Ripened Tomatoes

- 25 Lb. Tomato Lid, Self-Locking. 2 1/2" Drop. Kraft w/2-Color Graphics. 600/Unit.
- 25 Lb. Tomato Body, Self-Locking. 14 x 11 1/4 x 9, Doublewall, Kraft w/2-Color Graphics. 150/Unit.
- 1/2 Bushel All-Purpose Auction Produce Box. White w/2-Color Graphics for 25 Lb. Tomatoes, Beans and 1/2 Bushel by Volume. 14 1/2 x 11 5/16 x 8 1/8 Nest-Stack Tote.



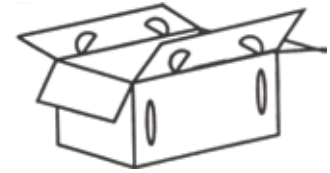
## Pulp Berry Containers and Tray Style Shippers

- 1 Pint Recycled Cellulose Fiber Container, Green. 600/CS.
- 1 Quart Recycled Cellulose Fiber Container, Green. 250/CS.
- **U-PICK**  
Berry Tray, Self-Locking. 17 x 10 3/4 x 3 (At Top), Wax Curtain Coated 2-Sides, White, Plain. 1000/Unit.
- 2-Cavity, 12-1 Pint Berry Shipper with Divider, Self-Locking. 18 1/2 x 13 1/4 x 4 including Divider, White w/1-Color Graphics for "Selected Berries." Also Great for Shipping Cherry Tomatoes. 500/Unit.
- 2-Cavity, 8 Qt. Berry Shipper with Divider, Self-Locking. 22 x 11 x 4 5/8 including Divider, Wax Curtain Coated Outside Only, White w/2-Color Graphics for "Selected Berries." 250/Unit.
- 1/2 Bushel Fruit Tote, Self-Locking, 14 5/8 x 10 7/8 x 7 15/18, White w/2-Color "Quality Fruit" Graphics. NOTE: Dimensions are Top of Tote. Tote Tapers In from Top to Bottom. Hand Holes on Side. 3 1/2" Vents on Bottom. 500/Unit.
- 1 Pint Clamshell Plastic 600/cs.
- 20 3/4 x 9 3/4 x 5 5/8, D/C Pint Shipper Printed 12-1 U.S. Dry Pint/551ML/6-1 Dry Quart Produce of USA



# Yam Boxes

40 Lb. Yam Box, Self-Locking or Staple, White w/2-Color Graphics including "Quality Southern Yams." 16 3/4 x 13 x 9 1/4. Check-Off Block on Side and Top for 3 Sizes of Yams. 300/Unit



# Melon Boxes

For Cantaloupes, Honey Dew, Sugar Babies, Crenshaws, etc.

- **PREMIUM MELON, 2-PC. SHIPPER, SELFLOCKING LID AND BODY.**

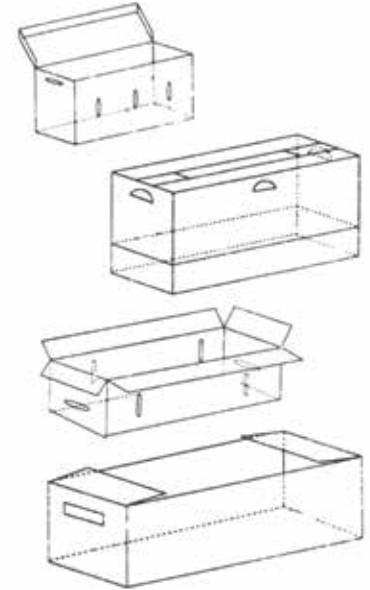
Lid: Full Telescope, 9" x 8" Gap in Top, White w/2-Color Graphics for 3/4/5/6 Count of Sugar Babies, Honeydews, Crenshaws and Cantaloupe. 500/Unit.

Body: 16 3/4 x 15 x 7 3/4, Plain Kraft. "Star Design" Insert, 3/4/5 Pack.

- Single Layer Melon, Staple Style, 23 1/4 x 13 x 6 3/4, 5 7/8 Gap Top, 2" Overlap Bottom w/Ventilation Holes, White w/1-Color Graphics. Economical Shipper. 375/Unit.

**THIS ITEM CAN BE WAXED ON REQUEST**

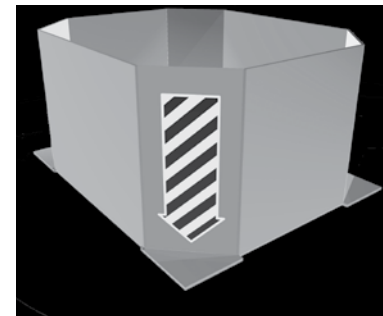
- Single Layer/Count Watermelon, Self-Locking, 24 x 19 1/2 x 10, Large Gap in Top, Kraft w/1-Color Graphics. 250/Unit.



# Produce Bins

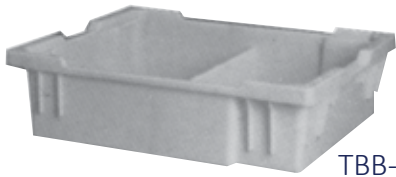
## An Economical Shipping Alternative

- Produce Bin Lid Available in Kraft or White. Self-Locking Ventilated. Plain 300/Unit
- 24" Kraft Bin w/Safety Arrows. Available in Vented or Unvented. Also Available w/12" or 16" Flaps on Bottom. 42/Unit.
- 24" White Bin. Available w/Generic Watermelon/Cant. Print or Mar-Del Custom Print. 12" or 16" Flaps. 42/Unit.
- 26" Kraft Bin w/Safety Arrows. Available w/14" or 16" Flaps. 42/Unit.
- 26" White Bin. Available w/Generic Watermelon Print. 42/Unit.
- 36" Kraft Bin w/Safety Arrows. Available w/12" Flap. 42/Unit.
- 36" White Bin. Available w/Generic Watermelon or Pumpkin Print Vented is Available. 42/Unit.



# Plastic Containers

## Totes, Baskets, and Tray Containers



TBB-1010



TBB-2010

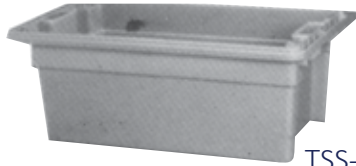


TSS-10CO3

Ask Your Salesperson  
About Custom Imprinting  
Many of Our Quality  
Totes and Fillet Tray Lids



TBB-3010



TSS-10CO



TBB-4010



XFSHBKT



TBB-5010

**Berry Containers**  
2 PC. AND CLAM SHELL  
BERRY CONTAINERS  
NOW AVAILABLE

Product Code	Description	Outside Dimension (Inches)	Capacity Weight (Lbs.)	Capacity Volume (Cu. In.)	Weight (Lbs.)	48' Trailer Capacity
TBB-1D10	180° Nest/Stack Box	19.9 x 15.9 x 5.5	20*	1,245	2.75	4,816
TBB-20102,4	180° Nest/Stack Box	19.9 x 15.9 x 6.1	20*	1,450	2.90	5,376
TBB-30102,3,4	180° Nest/Stack Box	23.6 x 15.7 x 7.0	40*	1,950	3.25	4,320
TBB-4010	180° Nest/Stack Box	18.8 x 13.6 x 4.6	10*	775	2.20	11,130
TBB-50102,3,4	180° Nest/Stack Box	24 x 18 x 7.5	60*	2,400	4.00	3,712
TSS-10CO	180° Nest/Stack Box: "Regrind"	31 x 18 x 11	100	4,144	9.70	2,210
TSS-10CO3	180° Nest/Stack Box	31 x 18 x 11	100	4,144	9.70	2,210
XFSHBKT	Multi-Purpose Basket	Diam.- 17" Height- 19"	40	10 Gal.	4.30	3,726
PAN SO10	Pan with Snap-On Lid	15.75 x 11.5 x 2.9	10	379	0.61	16,500
PAN SO20	Pan with Snap-On Lid	15.75 x 11.5 x 4.25	20	657	0.71	16,500
PAN SO25	Pan with Snap-On Lid	15.75 x 11.5 x 5.25	25	796	9.83	15,840
PAN LD SO	Lid for Snap-On Style Pans	15.75 x 11.5 x .05	----	----	0.43	----
PAN CA 10	Process Pan- No Lid	11.6 x 8.4 x 4.75	10	383	0.44	76,800
PAN CA 20	Process Pan- No Lid	17.0 x 11.9 x 4.25	20	665	0.74	38,400

1) Center Divider Only 2) Available with or without Center Divider 3) Available with or without bottom holes 4) Available with or without Side Holes \*Suggested Load when Stacked 8 High

# Plastic Agricultural Containers

## Totes, Baskets, and Tray Containers

ROPAK KEEPS THE PROFIT IN PRODUCE.

Ropak containers are not only tough and durable, but highly efficient and cost effective. Easily visible nest/stack indicators allow for error-free, spacesaving 3-to-1 nesting. The flat bottom design is ideal for conveyors. And the well designed stacking pads ensure that boxes won't slip or slide when stacked.

This allows for highly efficient use of vertical space in coolers and warehouses. Finally, Ropak containers can be cleaned and sterilized without absorbing water.

No matter which Ropak container you use, you'll save space and product storage costs.

If you're a packer, farmer or processor, give us a call. Once you see what we have to offer, we think you'll agree, Ropak containers are ideal for just about anything that crops up.

## Tougher Than Nails – In Cold Storage or Desert Summers

Hot or cold. Wet or dry. Ropak containers are tough. Nails and wood just don't have a chance against the high density polyethylene used in the construction of our containers. Throw them off a truck. Stuff them into freezers. Ropak containers can't come apart at the seams because they're seamless. They can't absorb moisture or rot, so their bottoms won't fall out. And you will always have constant tare.

Ropak containers won't absorb moisture or chemicals, either (most chemicals won't affect them). There are also no pores for bacteria to hide. And you'll never have to worry about splinters, staples, rusty nails or wire getting into produce, hands and garments.

As you can see, when it comes to reducing your maintenance costs, Ropak gives wood a real boxing lesson.

## Container Selection Guideline

	TBB 1010	TBB 2010	TBB 3010	TBB 4010	TBB 5010	TSS 1010	XFSH BKT
Apples							X
Apricots		X	X				
Asparagus		X					
Cantaloupe						X	X
Blueberries	X	X	X	X			
Cucumbers					X	X	X
Cherries			X				
Dates			X				
Eggplant						X	
Farmers Market					X		X
Green Beans					X		X
Table Grapes			X		X		
Wine Grapes		X	X		X		
Kiwi Fruit			X				
Nectarines			X				
Oranges							X
Plums			X				
Peaches			X		X		
Peppers			X				X
Pink Tomatoes			X				
Strawberries	X	X	X	X			
Squash					X	X	X
Sweet Corn						X	X
Turnips						X	

## Staplers and Shipping Supplies

### Available for Immediate Delivery

- "C" and "A" Sizes
- Staples: 3/4" and 5/8" Depths
- Staplers: Foot Bottomers  
Side Arm  
Post  
Hand Clinchers
- Tapes, Strapping, Polybags, Stretch Wrap, Hand Trucks, and More



## Picking Baskets



- Available in 5/8 Bushel (Red) and 5/8 Bushel (Green) sizes.

## Hand Trucks



- Super Light Design
- Straight Back Frame
- Multiple Handle, Plate, and Wheel Options Available- Special Order

## Pallet Jacks



- Features Safety Loop Handle
- Three Function Hand Control
- Foot Control for Lowering
- 230° Arc for High Maneuverability
- Nylon Wheels



**Victory  
Packaging**

We are *Architects* of Packaging Solutions