

FRESH SEAFOOD

PERISHABLE PACKAGING

MANUFACTURERS OF WAX DIP SEAFOOD BOXES

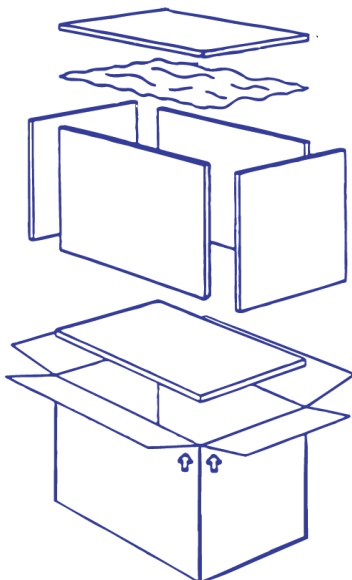
- Bait trays
- Staple-style oyster boxes
- Live soft shell crab shippers
- Self-locking steamed crab shippers
- Freezer boxes and wrap

CURTAIN COATED SEAFOOD BOXES

- Self-locking 40 lb. and 50 lb.
- Self-locking or staple-style lids
- Staple-style 40 lb., 50 lb., and 100 lb. body
- 10" Staple-style 50 lb. and 100 lb. seafood cover
- Bellows fold design - one-piece staple-style

BULK BINS

- 24", 26", and 36" diameters
- Heavy duty tripple-wall construction



INSULATED SHIPPING BOXES AND CONTAINERS

- **AS1 10/ Master** 13 x 13 x 10" O.D.
10 x 10 x 7" I.D. 1-1/2" Foam
- **AS2 5/ Master** 14 x 14 x 15" O.D.
11 x 11 x 12" I.D. 1-1/2" Foam
- **AS3 5/ Master** 20 x 16-3/4 x 15" O.D.
17 x 13-3/4 x 12" I.D. 1-1/2" Foam
- **AS5 5/ Master** 22-1/2 x 16-1/2 x 10-1/2" O.D.
21 x 15 x 8-1/2" I.D. 3/4" Foam
- **EQ 5/ Master** 27-5/8 x 18-5/8 x 19-3/4" O.D.
26-1/8 x 17-1/8 x 18-1/4" I.D. 3/4" Foam
- Additional Sizes Available on Special Orders
- Custom Imprint Available
- **Master Complete with Box, Foam & Poly Bag**

BOX CODE	INSIDE DIMENSION LENGTH	INSIDE DIMENSION WIDTH	INSIDE DIMENSION DEPTH	WALL THICKNESS (INCHES)
27015	8	6	4-1/4	1-1/2" Wall
27025	8	6	7	1-1/2" Wall
27035	8	6	9	1-1/2" Wall
27045	8	6	12	1-1/2" Wall
27225	20-1/2	13-1/8	14	1-1/2" Wall
27255	20-1/2	13-1/4	12	1-1/2" Wall
27295	10-1/2	8-1/4	9-1/4	1-1/2" Wall
27158	12	10	5	1-1/2" Wall
27160	12	10	7	1-1/2" Wall
27162	12	10	9	1-1/2" Wall
27095	16-3/8	11-1/2	6	1-1/2" Wall
27647	20	15-1/2	13-5/8	3/4" Wall
27151	17	14	12-1/2	1-1/4" Wall
27467	12	12	12	1-1/8" Wall

All Insulated Shipping Containers Are Available with Outer Carton By Special Order Only.

ALSO AVAILABLE

- Staples and staplers
- Tape, stretch wrap, and strapping
- Hand trucks
- Pallet jacks

